



ELECTRONICS

Preliminary

TO :
DATE : October 18. 2002

SAMSUNG TFT-LCD
MODEL NO. : LTM150XH-L06

APPROVED BY :

Any Modification of Spec is not allowed without SEC's permission.

Approved by : *J. H. Park*

PREPARED BY : AMLCD Technical Customer Service Team

SAMSUNG ELECTRONICS CO., LTD.

General Description	----- (3)
1. Absolute Maximum Ratings	----- (4)
1.1 Absolute Ratings Of Environment	
1.2 Electrical Absolute Ratings	
2. Optical Characteristics	----- (6)
3. Electrical Characteristics	----- (9)
3.1 TFT LCD Module	
3.2 Back-light Unit	
4. Block Diagram	----- (12)
4.1 TFT LCD Module	
4.2 Back-light Unit	
5. Input Terminal Pin Assignment	----- (13)
5.1 Input Signal & Power	
5.2 Back-light Unit	
5.3 Input Signals, Basic Display Colors and Gray Scale of Each Color	
6. Interface Timing	----- (16)
6.1 Timing Parameters (DE only mode, LVDS Transmitter Input)	
6.2 Timing Diagrams of interface Signal (DE only mode)	
6.3 Timing diagrams of LVDS	
6.4 Power ON/OFF Sequence	
7. Outline Dimension	----- (20)
8. Packing	----- (21)
9. Marking & Others	----- (22)
10. General Precaution	----- (24)

GENERAL DESCRIPTION

DESCRIPTION

LTM150XH-L06 is a color active matrix TFT (Thin Film Transistor) liquid crystal display that uses amorphous silicon TFT switching devices. This model is composed of a TFT LCD panel, a driver circuit and a back-light system. The resolution of 15.0- inch contains 1,024 x 768 pixels and can display up to 16.2M colors. 6 o'clock direction is the optimum viewing angle.

FEATURES

- High contrast ratio, High aperture structure
- Wide viewing angle
- High-speed response
- XGA(1024x768 pixels) resolution
- color depth 16.2M colors
- Low power consumption
- 4 CCFTs (Cold Cathode Fluorescent Tube)
- DE Mode
- LVDS Interface with 1 pixel / clock

APPLICATIONS

- TV & Desktop monitors
- Display terminals for AV application products
- Monitors for Industrial machine

GENERAL SPECIFICATIONS

ITEM	SPECIFICATION	UNIT	NOTE
Active area	304.1(H) x228.1(V) (15.0 inch diagonal)	mm	
Driver element	a-Si TFT active matrix		
Display colors	16,2M		
Number of pixel	1024 x 768	pixel	
Pixel arrangement	RGB vertical stripe		
Pixel pitch	0.297(H) x 0.297(W)	mm	
Display Mode	Normally white		
Surface treatment	Haze 25 , Anti-glare & Hard - Coating (3H)		

Mechanical Information

ITEM		MIN.	TYP.	MAX.	NOTE
Module size	Horizontal (H)	331.1	331.6	332.1	mm
	Vertical (V)	254.4	254.9	255.4	mm
	Depth (D)	-	12.5	13.0	mm
Weight		-	-	1350	g

1. ABSOLUTE MAXIMUM RATINGS

1.1 ABSOLUTE RATINGS OF ENVIRONMENT

ITEM	SYMBOL	MIN.	MAX.	UNIT	NOTE
Storage temperature	T _{STG}	-25	60	°C	(1),(5)
Operating temperature (Surface of Glass)	T _{OPR}	0	50	°C	(1),(5)
Shock (non-operating)	Snop	-	50	G	(2),(4)
Vibration (non-operating)	Vnop	-	1.5	G	(3),(4)

Note (1) Temperature and relative humidity range are shown in the figure below.

90 % RH Max. (40 °C ≥ Ta)

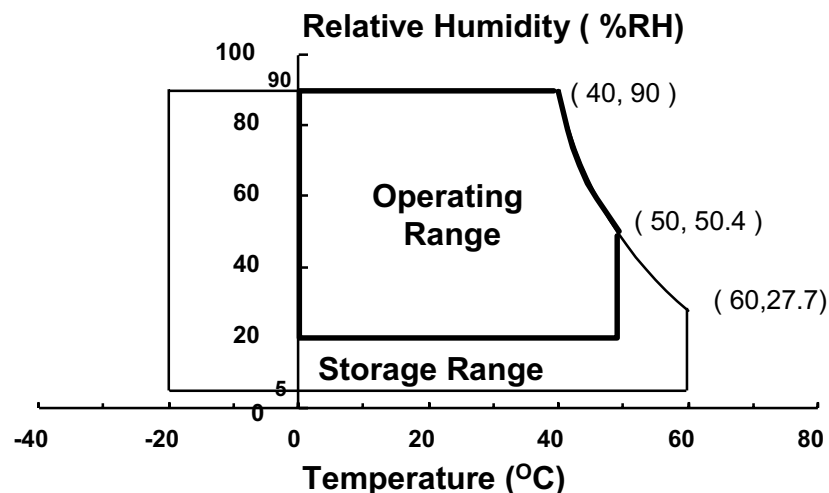
Maximum wet - bulb temperature at 39 °C or less. (Ta > 40 °C) No condensation.

(2) 11ms, sine wave, 1 time for ±X, ±Y, ±Z.

(3) 10 - 300 - 10 Hz, Sweep rate: 10 min, 30 min for X,Y,Z.

(4) At testing Vibration and Shock, the fixture in holding the Module to be tested have to be hard and rigid enough so that the Module would not be twisted or bent by the fixture.

(5) If product is used for extended time excessively or exposed to high temperatures for extended time, there is a possibility of wide viewing angle film damage which could affect visual characteristics.



1.2 ELECTRICAL ABSOLUTE RATINGS

(1) TFT LCD MODULE

(V_{SS} = GND = 0 V)

ITEM	SYMBOL	MIN.	MAX.	UNIT	NOTE
Power Supply Voltage	V _{CC}	V _{SS} -0.3	+3.6	V	(1)

NOTE (1) With Ta (25 ± 2 °C)

(2) BACK-LIGHT UNIT

Ta = 25 ± 2 °C

ITEM	SYMBOL	MIN.	MAX.	UNIT.	NOTE
Lamp current	IL	3.0	7.0	mA _{rms}	(1)
Lamp frequency	f _L	40	80	KHz	(1)

NOTE (1) Permanent damage to the device may occur if maximum values are exceeded.
Functional operation should be restricted to the conditions described under Normal Operating Conditions.

2. OPTICAL CHARACTERISTICS

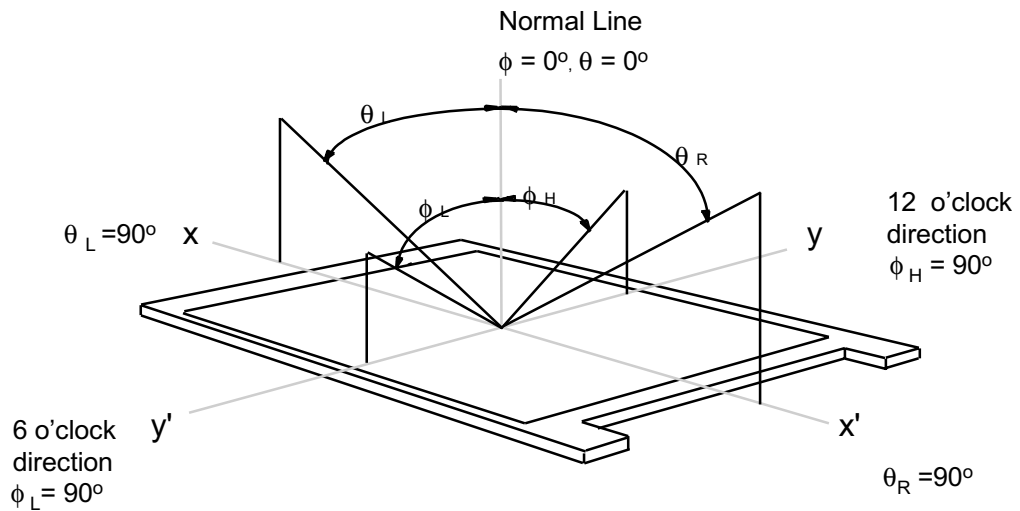
The following items are measured under stable conditions. The optical characteristics should be measured in a dark room or equivalent state with the methods shown in Note (4).

Measuring equipment : TOPCON BM-5A

* Ta = 25 ± 2 °C , V_{DD} = 3.3V, fv= 60Hz, f_{DCLK}=65MHz, IL = 6.5 mArms

ITEM		SYMBOL	CONDITION	MIN.	TYP.	MAX.	UNIT	NOTE
Contrast Ratio (Center of screen)		CR	$\phi = 0,$ $\theta = 0$ Normal Viewing Angle	300	400	-		(1), (2), (4)
Response Time at Ta	Rising	T _R		-	5	10	msec	(1), (3)
	Falling	T _F		-	20	25		
Luminance of White (Center of screen)		Y _L			350	400		cd/m ²
Color Chromaticity (CIE 1931)	Red	R _X	Normal Viewing Angle	Typ. -0.03	0.624	Typ. +0.03		
		R _Y			0.356			
	Green	G _X			0.280			
		G _Y			0.585			
	Blue	B _X			0.144			
		B _Y			0.076			
	White	W _X			0.280			
		W _Y			0.290			
Viewing Angle	Hor.	θ_L	CR ≥ 10	65	70	-	Degrees	
		θ_R		65	70	-		
	Ver.	ϕ_H		45	50	-		
		ϕ_L		55	60	-		
Brightness Uniformity		B _{UNI}		-	-	25	%	(5)

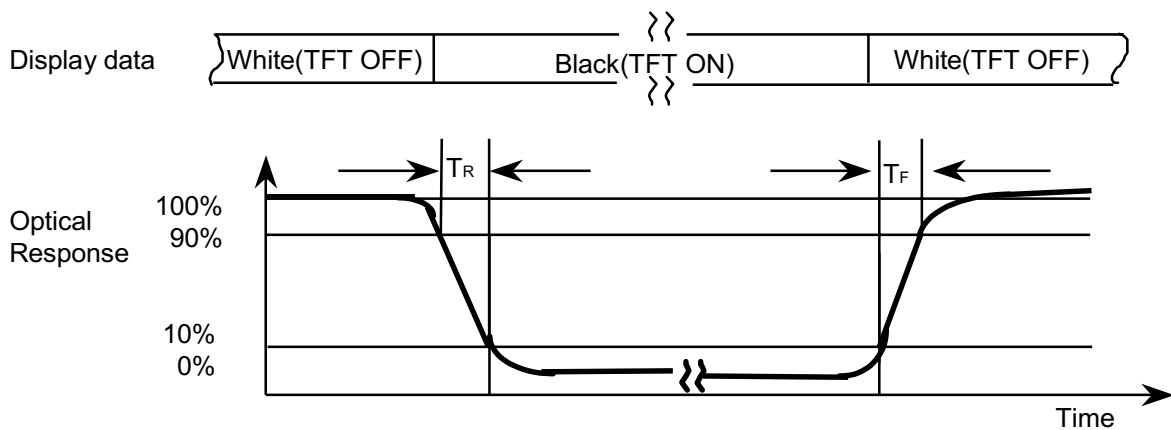
Note 1) Definition of Viewing Angle : Viewing angle range ($10 \leq CR$)



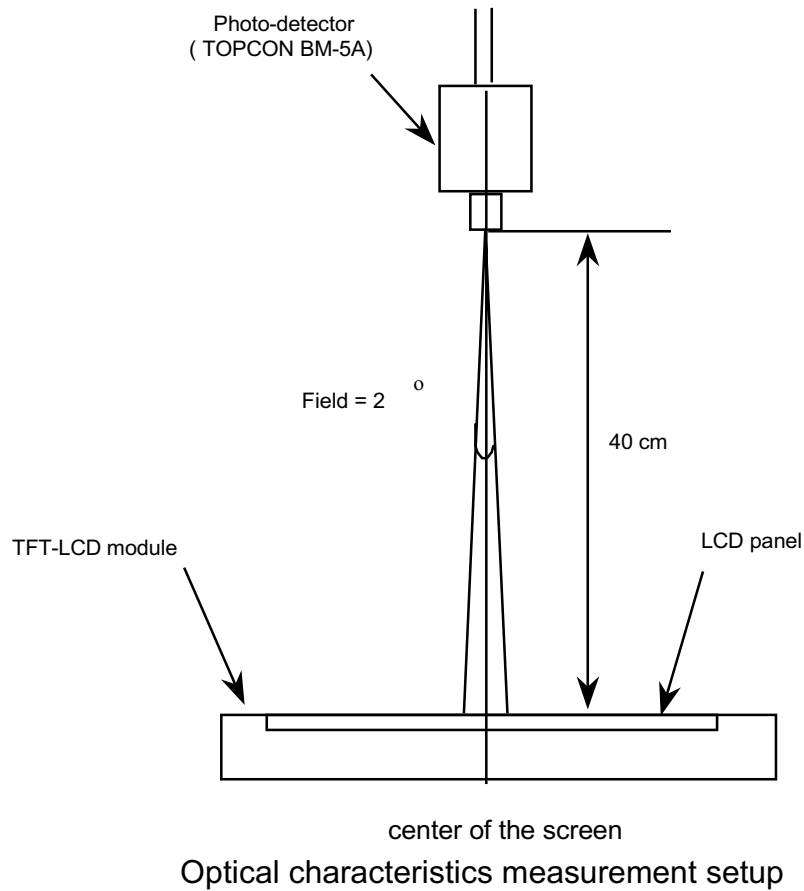
Note 2) Definition of Contrast Ratio (CR) : Ratio of gray max (Gmax) ,gray min (Gmin) at the center point of panel.

$$CR = \frac{\text{Luminance with all pixels white (Gmax)}}{\text{Luminance with all pixels black (Gmin)}}$$

Note 3) Definition of Response time : Sum of T_R, T_F



Note 4) After stabilizing and leaving the panel alone at a given temperature for 30 min , the measurement should be executed. Measurement should be executed in a stable, windless, and dark room. 30 min after lighting the back-light. This should be measured in the center of screen.
 Lamp current : 6.5mA , Environment condition : $T_a = 25 \pm 2 \text{ }^\circ\text{C}$

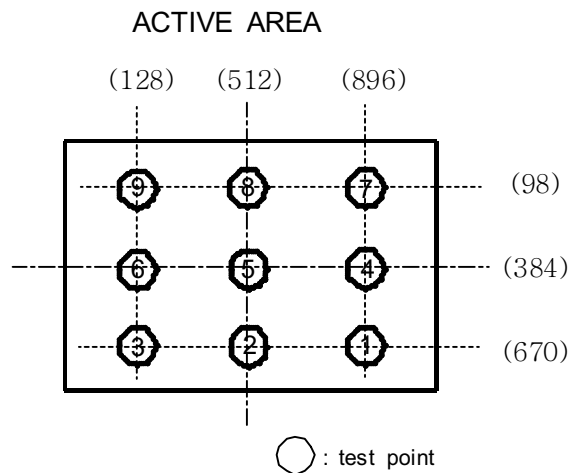


Note 5) Definition of 9 points brightness uniformity

$$B_{uni} = (1 - (B_{min}/B_{max})) \times 100$$

B_{max} : Maximum Brightness

B_{min} : Minimum Brightness



3. ELECTRICAL CHARACTERISTICS

3.1 TFT LCD MODULE

Ta= 25 ± 2 °C

ITEM	SYMBOL	MIN	TYP	MAX	UNIT	NOTE	
Voltage of Power Supply	V _{DD}	3.0	3.3	3.6	V		
Differential Input Threshold Voltage	High	V _{IH}	-	-	+100	mV	(1)
	Low	V _{IL}	-100	-	-	mV	
Current of Power Supply	White	I _{DD}	-	360	-	mA	(2)(4)*a
	black		-	400	-	mA	(2)(4)*b
	Sub-pixel checker		-	450	550	mA	(2)(4)*c
Vsync Frequency	f _v	-	60	75	Hz		
Hsync Frequency	f _H	-	48.3	60.0	kHz		
Main Frequency	f _{DCLK}	47	65	78.75	MHz	(3)	
Rush Current	I _{rush}	-	-	1.5	A	(5)	

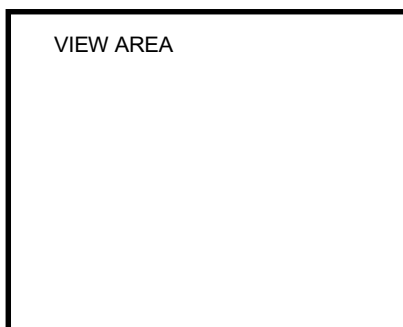
Note (1) Condition : VCM = +1.2V (Typical)

(2) f_v=60Hz, f_{DCLK}=65MHZ, V_{DD} = 3.3V, DC Current.

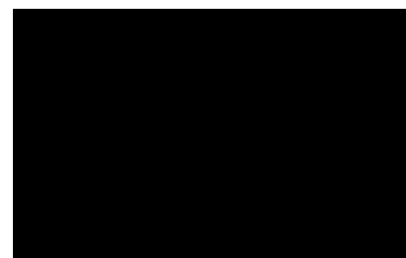
(3) 1 Pixel / clock

(4) Power dissipation check pattern

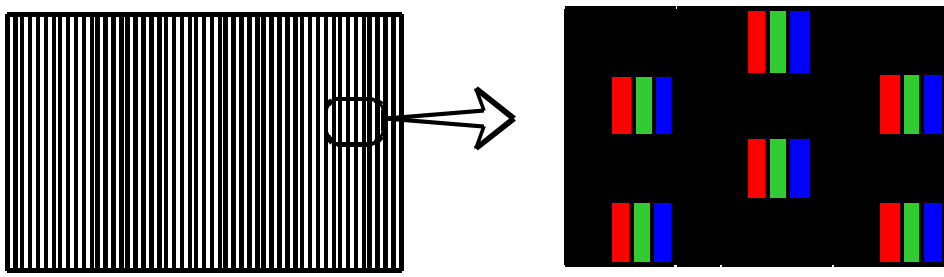
*a) White Pattern



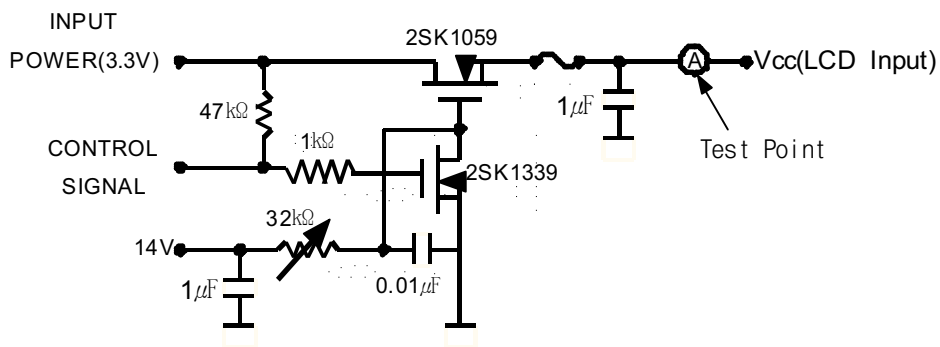
*b) Black Pattern



c) Sub-pixel Checker Pattern



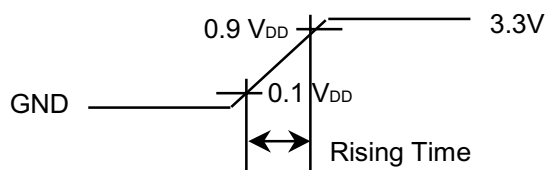
(5) Measurement Conditions (rising time =470 μ s)



Note : Control Signal : High(+3.3V) -->Low(Ground)

All Signal lines to panel except for power 3.3V : Ground

The rising time of supplied voltage is controlled to 470us by R3 and C2 value.



3.2 BACK-LIGHT UNIT

The back-light system is an edge-lighting type with 4 CCFTs(Cold Cathode Fluorescent Tube).

The characteristics of four lamps are shown in the following tables.

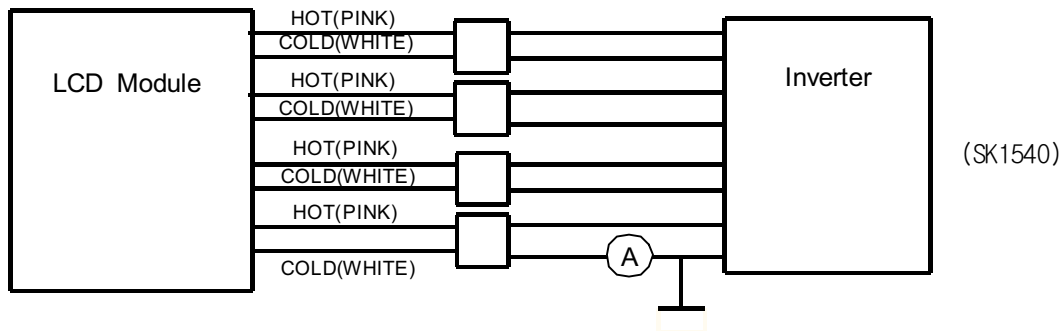
Ta = 25 ± 2 °C

ITEM	SYMBOL	MIN	TYP	MAX	UNIT	NOTE
Lamp Current	IL	3.0	6.0	6.5	mA _{rms}	(1)
Lamp Voltage	VL	-	665	-	V _{rms}	IL=6.0 mA _{rms}
Lamp Frequency	FL	40	-	60	kHz	(2)
Operating Life Time of Lamp	Hr	25,000	35,000	-	Hour	(3)
Startup Voltage	Vs	-	-	1020 (25°C)	V _{rms}	(4)
				1430 (0°C)		

Note) The waveform of the inverter output voltage must be area symmetric and the design of the inverter must have specifications for the modularized lamp.

The performance of the back-light, for example life time or brightness, is much influenced by the characteristics of the DC-AC inverter for the lamp. So all the parameters of an inverter should be carefully designed so as not to produce too much leakage current from high-voltage output of the inverter. When you design or order the inverter, please make sure that a poor lighting caused by the mismatch of the back-light and the inverter(miss lighting, flicker, etc.) never occur. When you confirm it, the module should be operated in the same condition as it is installed in your instrument.

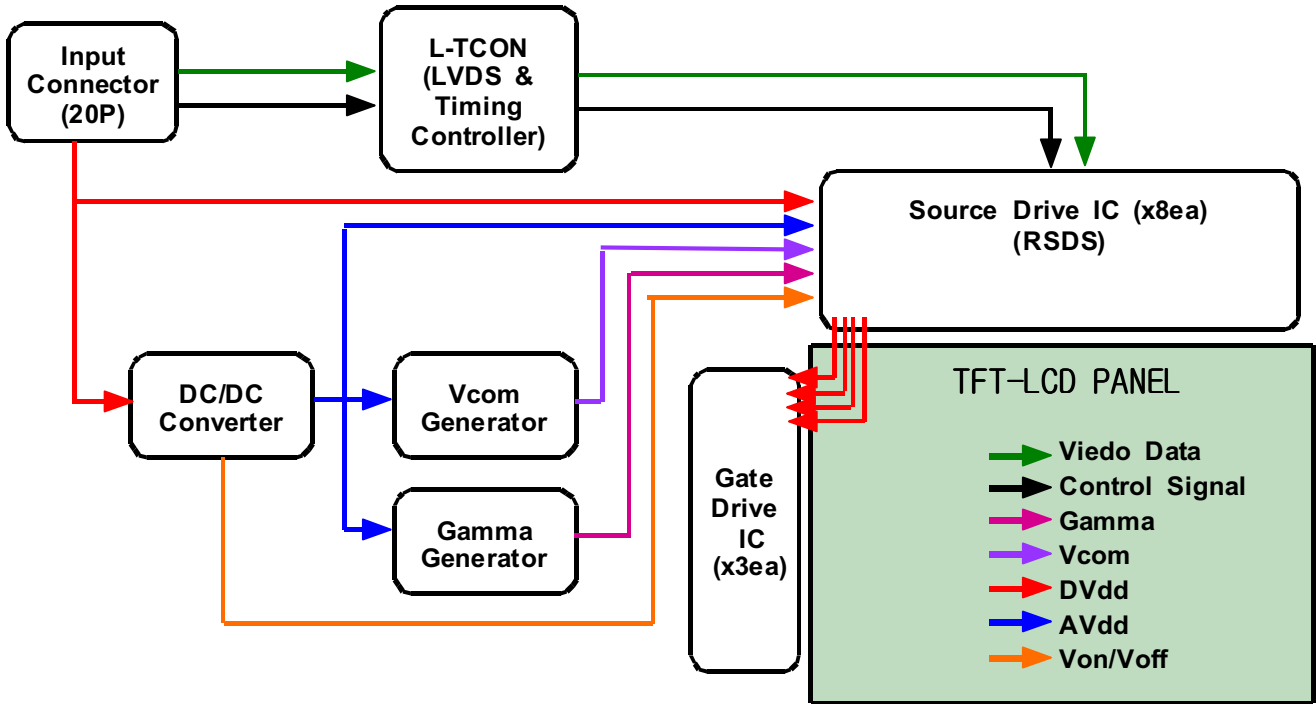
Note (1) Lamp current is measured with current meter for high frequency as shown below.



- (2) Lamp frequency may produce interference with horizontal synchronous frequency and this may cause line flow on the display. Therefore lamp frequency shall be detached from the horizontal synchronous frequency and its harmonics as far as possible in order to avoid interference.
- (3) Life time (Hr) of a lamp is defined as the time in which it continues to operate under the condition of Ta = 25 ± 2 °C and IL = 6.0 mA_{rms} until the brightness becomes 50% or lower than it's original value.
- (4) The voltage above this value should be applied to the lamps for more than 1 second to startup. Otherwise the lamps may not to be turned on.

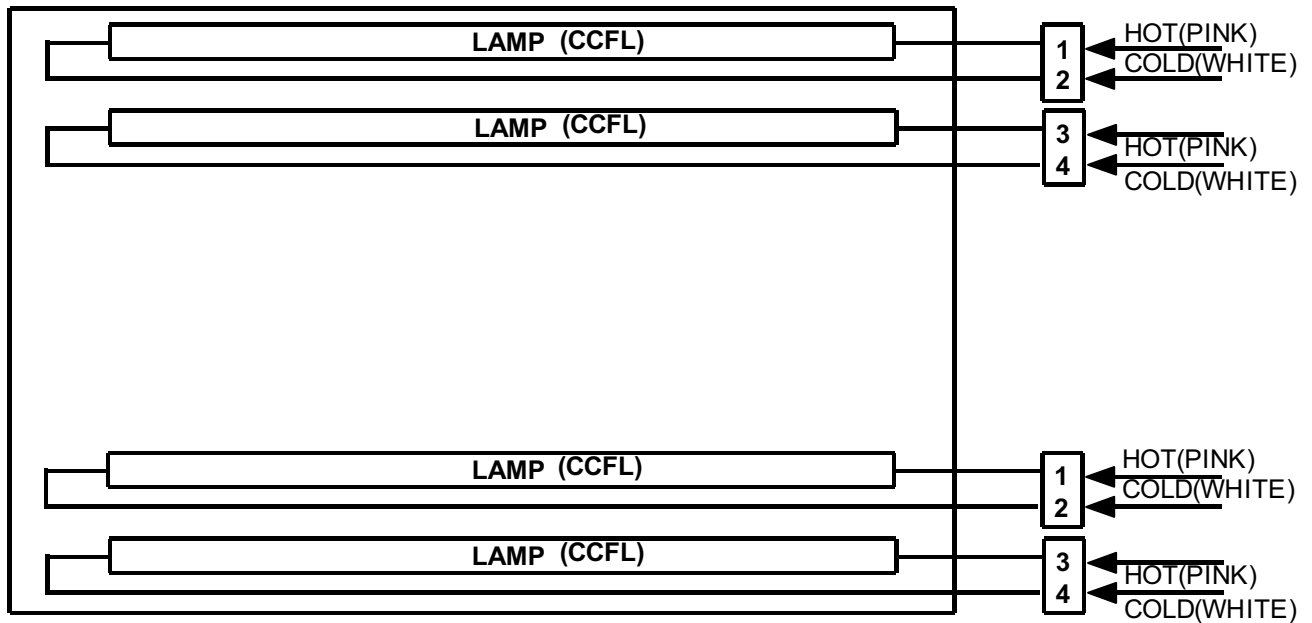
4. BLOCK DIAGRAM

4.1 TFT LCD MODULE



4.2 BACK-LIGHT UNIT

Connector: JST BHSR-02VS-1



5. INPUT TERMINAL PIN ASSIGNMENT

5.1 Input Signal & Power (LVDS, Connector : Hirose DF14H-20P-1.25H)

Pin No.	Symbol	Function	Remark
1	VDD	Power Supply 3.3V	
2	VDD	Power Supply 3.3V	
3	GND	Ground	
4	GND	Ground	
5	OD-RX0-	ODD Receiver Signal(-)	
6	OD-RX0+	ODD Receiver Signal(+)	
7	GND	Ground	
8	OD-RX1-	ODD Receiver Signal(-)	
9	OD-RX1+	ODD Receiver Signal(+)	
10	GND	Ground	
11	OD-RX2-	ODD Receiver Signal(-)	
12	OD-RX2+	ODD Receiver Signal(+)	
13	GND	Ground	
14	OD-RXCLK-	ODD Receiver Clock Signal(-)	
15	OD-RXCLK+	ODD Receiver Clock Signal(+)	
16	GND	Ground	
17	OD-RX3-	ODD Receiver Signal(-)	
18	OD-RX3+	ODD Receiver Signal(+)	
19	GND	Ground	
20	N.C	Reserved	

5.2 BACK-LIGHT UNIT

PIN NO	OUTPUT
1, 3	HOT(High)
2, 4	COLD(Ground)
1, 3	HOT(High)
2, 4	COLD(Ground)
Connector Part No. (User-side connector)	JST SM02B-BHSS-1-TB

5.3 Input Signal, Basic Display Colors and Gray Scale of Each Colors

Color	Display	Data Signal																												Gray Scale Level
		Red							Green							Blue														
		R0	R1	R2	R3	R4	R5	R6	R7	G0	G1	G2	G3	G4	G5	G6	G7	B0	B1	B2	B3	B4	B5	B6	B7					
Basic Color	Black	0	0	0	0	0	0	0	0	0	0	0	0	0	0	0	0	0	0	0	0	0	0	0	0	0	0	0	0	-
	Blue	0	0	0	0	0	0	0	0	0	0	0	0	0	0	0	0	1	1	1	1	1	1	1	1	1	1	1	1	-
	Green	0	0	0	0	0	0	0	0	1	1	1	1	1	1	1	1	0	0	0	0	0	0	0	0	0	0	0	0	-
	Cyan	0	0	0	0	0	0	0	0	1	1	1	1	1	1	1	1	1	1	1	1	1	1	1	1	1	1	1	1	-
	Red	1	1	1	1	1	1	1	1	0	0	0	0	0	0	0	0	0	0	0	0	0	0	0	0	0	0	0	0	-
	Magenta	1	1	1	1	1	1	1	1	0	0	0	0	0	0	0	0	1	1	1	1	1	1	1	1	1	1	1	1	-
	Yellow	1	1	1	1	1	1	1	1	1	1	1	1	1	1	1	1	0	0	0	0	0	0	0	0	0	0	0	0	-
	White	1	1	1	1	1	1	1	1	1	1	1	1	1	1	1	1	1	1	1	1	1	1	1	1	1	1	1	1	-
Gray Scale of Red	Black	0	0	0	0	0	0	0	0	0	0	0	0	0	0	0	0	0	0	0	0	0	0	0	0	0	0	0	R000	
	Dark	1	0	0	0	0	0	0	0	0	0	0	0	0	0	0	0	0	0	0	0	0	0	0	0	0	0	0	R001	
		0	1	0	0	0	0	0	0	0	0	0	0	0	0	0	0	0	0	0	0	0	0	0	0	0	0	0	R002	
		·	·	·	·	·	·	·	·	·	·	·	·	·	·	·	·	·	·	·	·	·	·	·	·	·	·	·	R003 ~ R252	
	Light	1	0	1	1	1	1	1	1	0	0	0	0	0	0	0	0	0	0	0	0	0	0	0	0	0	0	0	R252	
		0	1	1	1	1	1	1	1	0	0	0	0	0	0	0	0	0	0	0	0	0	0	0	0	0	0	0	R252	
		1	1	1	1	1	1	1	1	0	0	0	0	0	0	0	0	0	0	0	0	0	0	0	0	0	0	0	R252	
	Red	1	1	1	1	1	1	1	1	0	0	0	0	0	0	0	0	0	0	0	0	0	0	0	0	0	0	0	R252	
Gray Scale of Green	Black	0	0	0	0	0	0	0	0	0	0	0	0	0	0	0	0	0	0	0	0	0	0	0	0	0	0	0	G000	
	Dark	0	0	0	0	0	0	0	0	1	0	0	0	0	0	0	0	0	0	0	0	0	0	0	0	0	0	0	G001	
		0	0	0	0	0	0	0	0	0	1	0	0	0	0	0	0	0	0	0	0	0	0	0	0	0	0	0	G002	
		·	·	·	·	·	·	·	·	·	·	·	·	·	·	·	·	·	·	·	·	·	·	·	·	·	·	·	G003 ~ G252	
	Light	0	0	0	0	0	0	0	0	1	0	1	1	1	1	1	1	0	0	0	0	0	0	0	0	0	0	0	G252	
		0	0	0	0	0	0	0	0	0	1	1	1	1	1	1	1	0	0	0	0	0	0	0	0	0	0	0	G252	
		0	0	0	0	0	0	0	0	1	1	1	1	1	1	1	1	0	0	0	0	0	0	0	0	0	0	0	G252	
	Green	0	0	0	0	0	0	0	0	1	1	1	1	1	1	1	1	0	0	0	0	0	0	0	0	0	0	0	G252	
Gray Scale of Blue	Black	0	0	0	0	0	0	0	0	0	0	0	0	0	0	0	0	0	0	0	0	0	0	0	0	0	0	0	B000	
	Dark	0	0	0	0	0	0	0	0	0	0	0	0	0	0	0	0	1	0	0	0	0	0	0	0	0	0	0	B001	
		0	0	0	0	0	0	0	0	0	0	0	0	0	0	0	0	0	1	0	0	0	0	0	0	0	0	0	B002	
		·	·	·	·	·	·	·	·	·	·	·	·	·	·	·	·	·	·	·	·	·	·	·	·	·	·	·	B003 ~ B252	
	Light	0	0	0	0	0	0	0	0	0	0	0	0	0	0	0	0	1	0	1	1	1	1	1	1	1	1	1	B252	
		0	0	0	0	0	0	0	0	0	0	0	0	0	0	0	0	0	1	1	1	1	1	1	1	1	1	1	B252	
		0	0	0	0	0	0	0	0	0	0	0	0	0	0	0	0	1	1	1	1	1	1	1	1	1	1	1	B252	
	Blue	0	0	0	0	0	0	0	0	0	0	0	0	0	0	0	0	1	1	1	1	1	1	1	1	1	1	1	B252	

Note) ✓ Definition of Gray :

Rn : Red Gray, Gn : Green Gray, Bn : Blue Gray (n = Gray level)

✓ Input Signal : 0 = Low level voltage, 1 = High level voltage

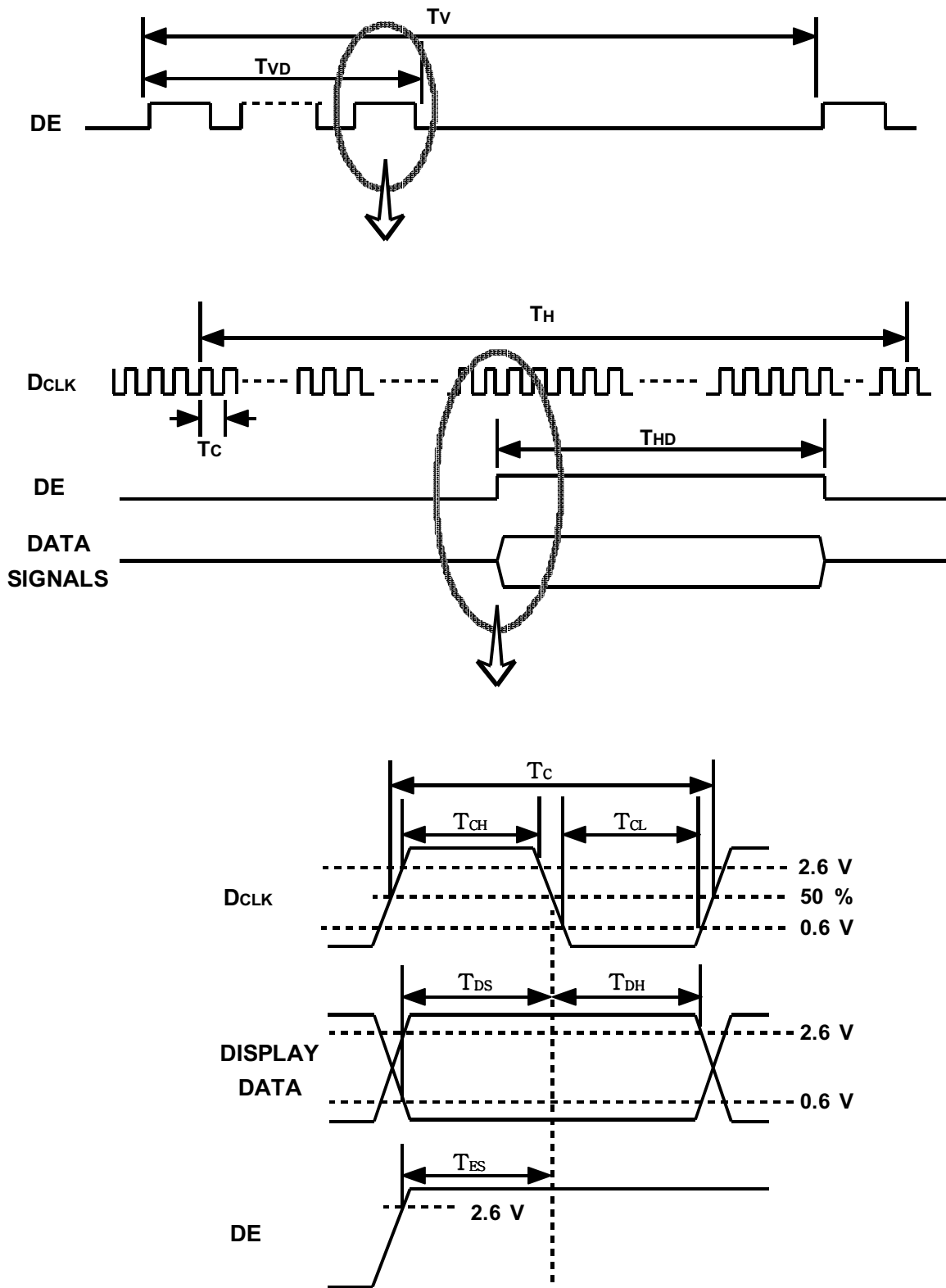
6. INTERFACE TIMING

6.1 Timing Parameters (DE only mode, LVDS Transmitter Input)

SIGNAL	ITEM	SYMBOL	MIN.	TYP.	MAX.	UNIT	NOTE
Clock	Frequency	1/TC	-	65	78.75	Mhz	(1)
	Hgh Time	T _{CH}	2	-	-	nsec	
	Low Time	T _{CL}	2	-	-	nsec	
Data	Setup Time	T _{DS}	4	-	-	nsec	
	Hold Time	T _{DH}	4	-	-	nsec	
Data Enable	Setup Time	T _{ES}	2	-	-	nsec	
Frame Frequency	Cycle	T _H	-	16.7	13.3	msec	(1)
			772	806	-	lines	
Vertical Active Disply Term	Display Period	T _{VD}	768	768	768	lines	
One Line Scanning Time	Cycle	T _H	1100	1344	1800	clocks	
Horizontal Active Display Term	Display Period	T _{HD}	1024	1024	1024	clocks	

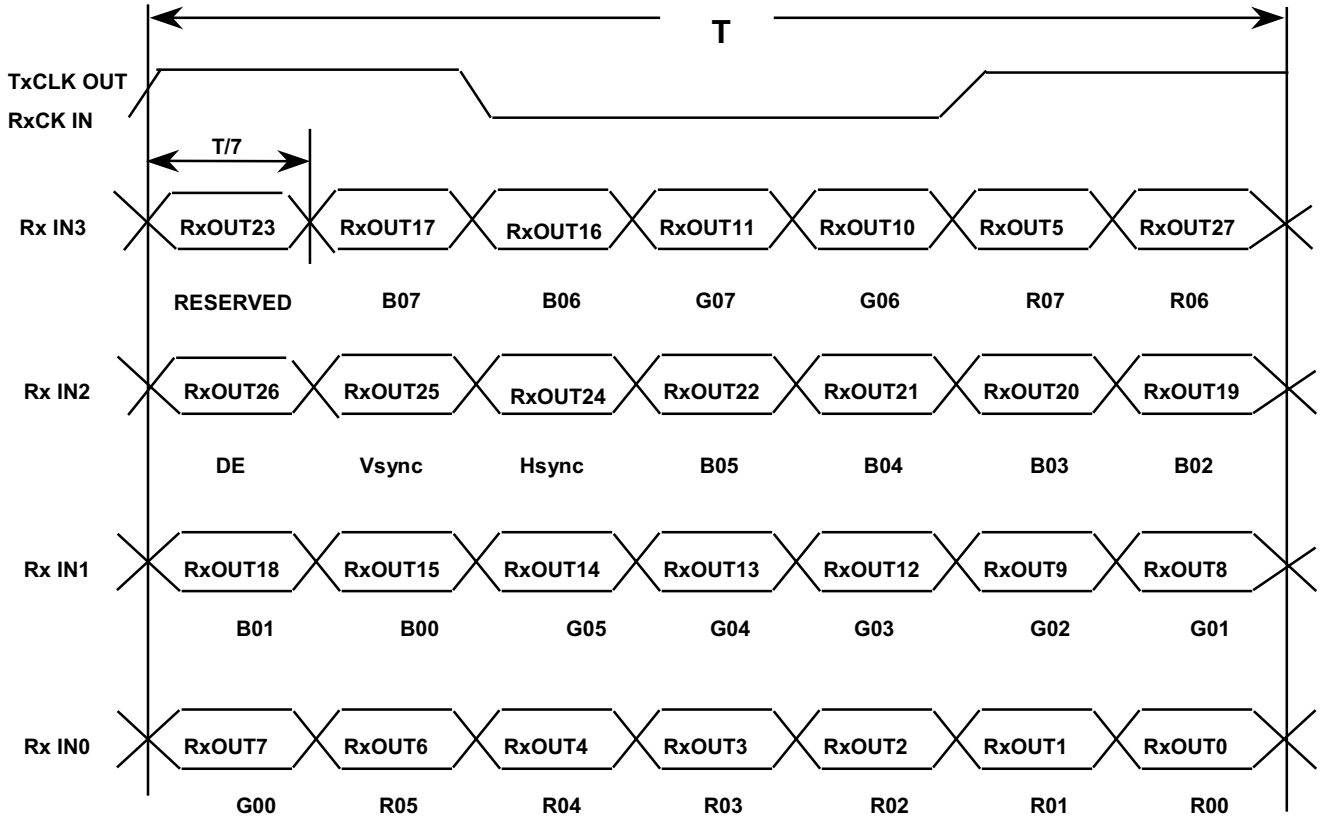
Note (1) When LTM150XH-L06 model is operated by DE only mode, Hsync and Vsync input signals should be fixed to "Low" for stable operation. Otherwise, the module could operate abnormally.

6.2 Timing diagrams of interface signal (DE only mode)



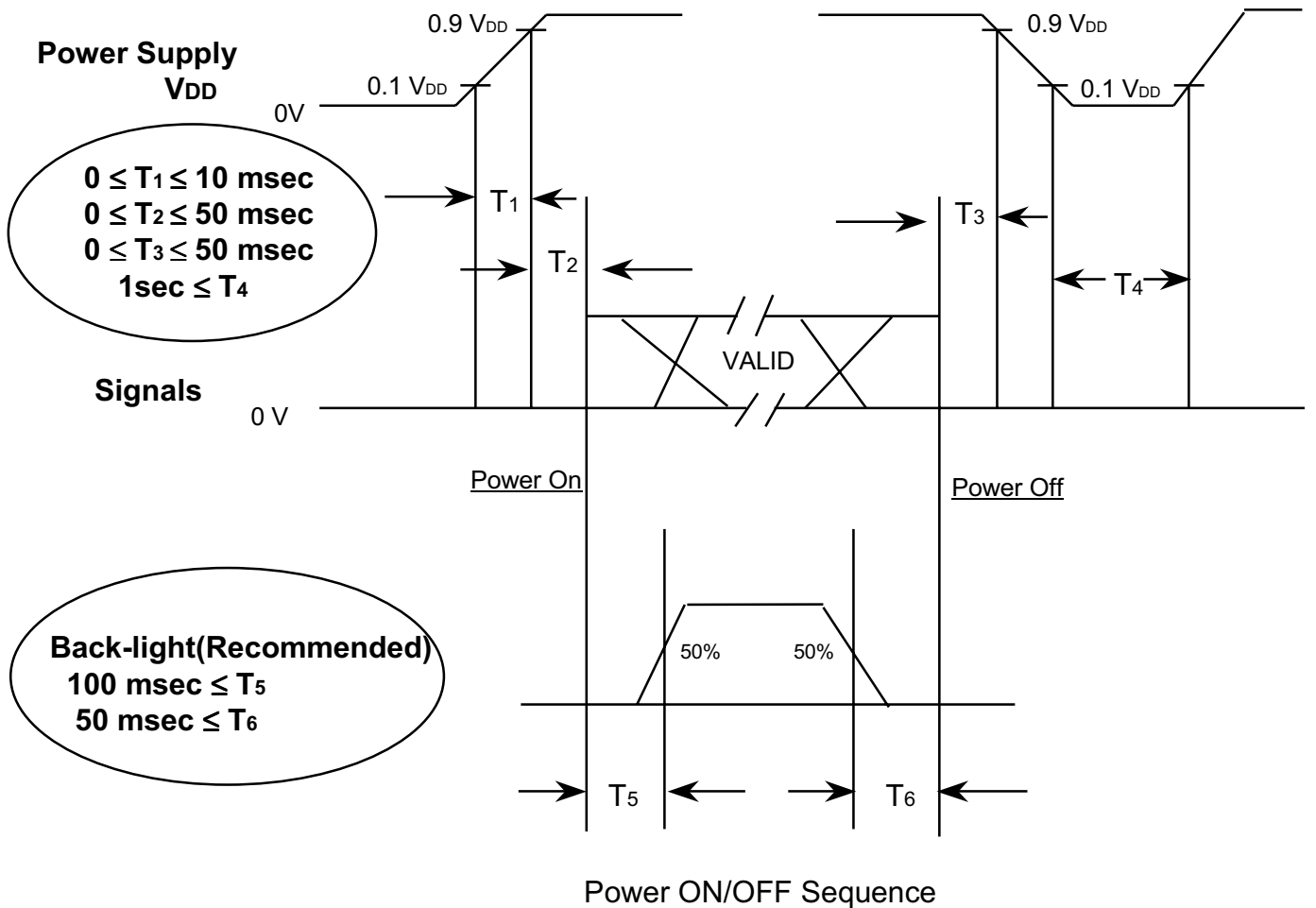
6.3 Timing Diagrams of LVDS

LVDS Transmitter : National Semiconductor DS90C385MTD



6.4 Power ON/OFF Sequence

: To prevent a latch-up or DC operation of the LCD module, the power on/off sequence should be as the diagram below.



Power ON/OFF Sequence

NOTE.

- (1) The supply voltage of the external system for the module input should be the same as the definition of V_{DD}.
- (2) Apply the lamp voltage within the LCD operation range. When the back-light turns on before the LCD operation or the LCD turns off before the back-light turns off, the display may momentarily become white.
- (3) In case of V_{DD} = off level, please keep the level of input signals on the low or keep a high impedance.
- (4) T₄ should be measured after the module has been fully discharged between power off and on period.
- (5) Interface signal shall not be kept at high impedance when the power is on.

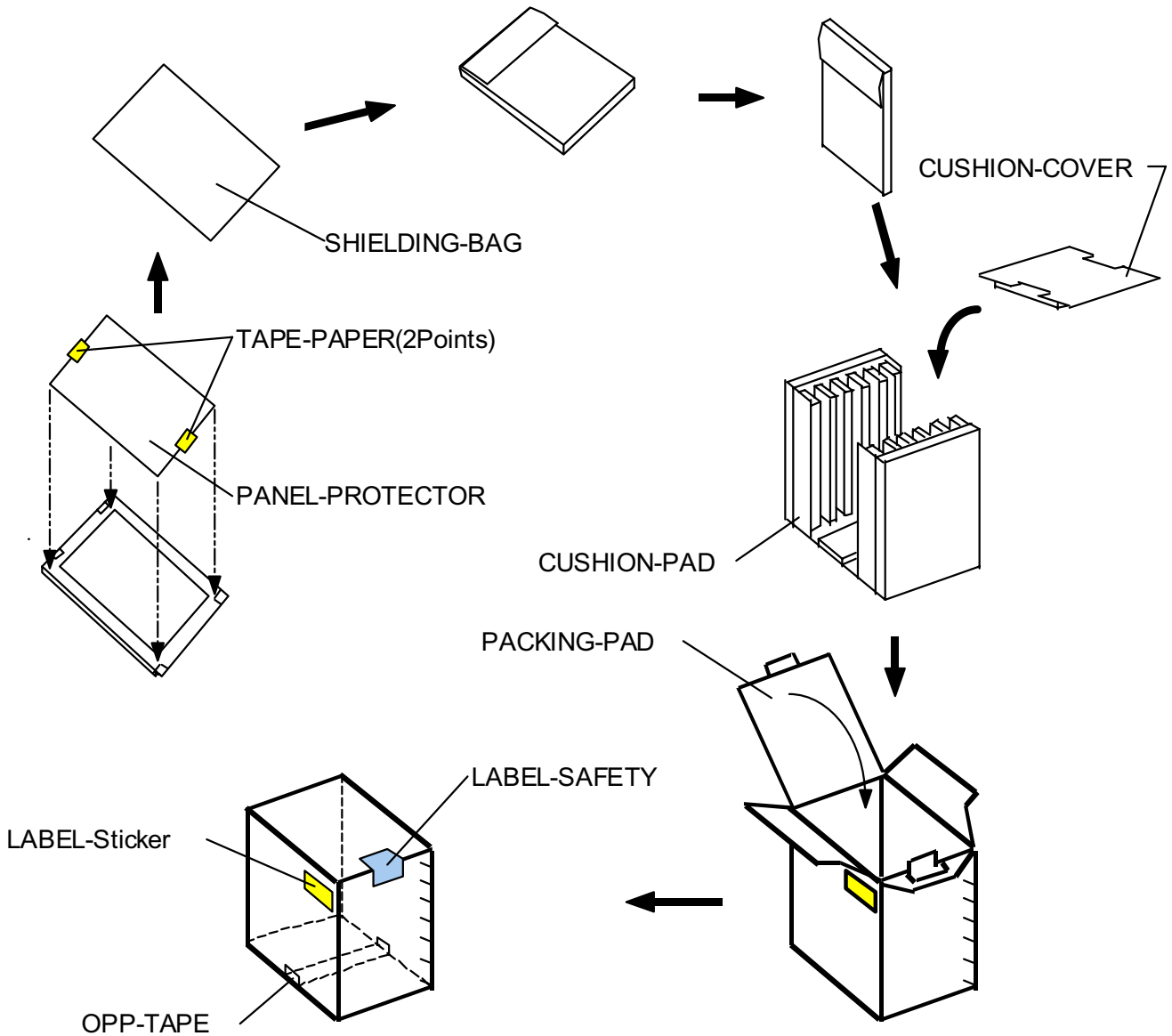
8. PACKING

8.1 CARTON(Internal Packing)

(1) Packing Form

Corrugated fiberboard box and corrugated foam as shock absorber

(2) Packing Method



Note (1)Total : Approx. 13.0 Kg

(2)Acceptance number of piling : 10 sets

(3)Carton size : 450 (W) X 348 (D) X 440 (H)

(4)Max accumulation quantity : 7 cartons

(3) Packing Material

No	Part name	Quantity	No	Part name	Quantity
1	PROTECTOR-PANEL	1	6	SHIELDING-BAG	1
2	TAPE-PAPER	0.06MT	7	OPP-TAPE	0.2MT
3	PACKING-CASE	0.1	8	LABEL-STICKER	1
4	CUSHION-PAD	0.1	9	LABEL-SAFETY	1
5	CUSHION-COVER	0.1			

9. MARKING & OTHERS

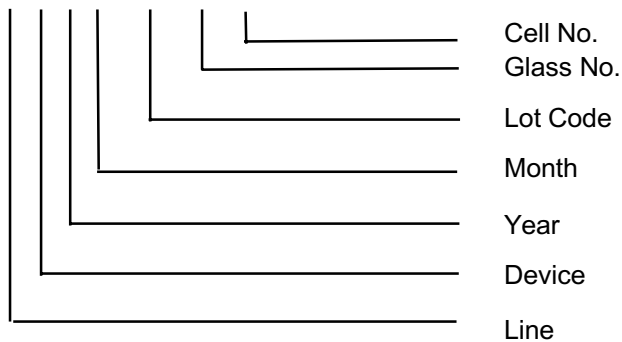
A nameplate bearing followed by is affixed to a shipped product at the specified location on each product.

(1)Parts number : LTM150XH-L06

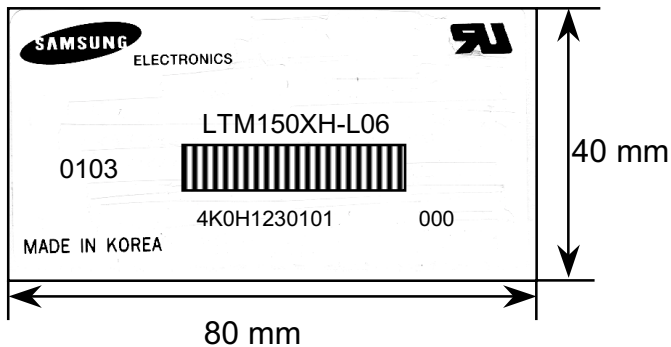
(2)Revision : One letter

(3)Control Code : One letter

(4)Lot number : 4 K 0 H 123 01 01

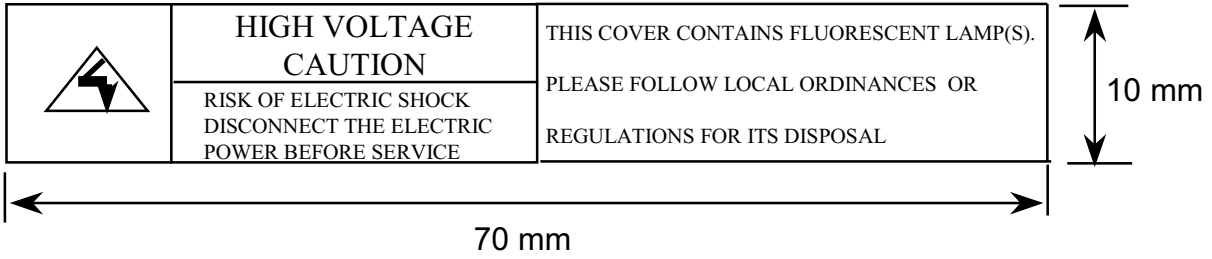


(5) Nameplate Indication

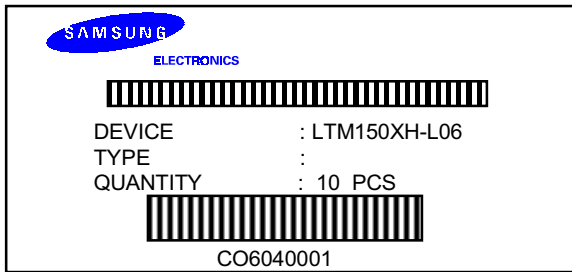


Parts name : LTM150XH-L06
 Lot number : 4K0H1230101
 Inspected work week : 0203

■ High voltage caution



(6) Packing box attach



10. General Precautions

10.1 Handling

- (a) When the module is assembled, It should be attached to the system firmly using every mounting holes. Be careful not to twist and bend the modules.
- (b) Refrain from strong mechanical shock and / or any force to the module. In addition to damage, this may cause improper operation or damage to the module and CCFT back-light.
- (c) Note that polarizers are very fragile and could be easily damaged. Do neither press nor scratch the surface harder than a HB pencil lead.
- (d) Wipe off water droplets or oil immediately. If you leave the droplets for a long time, staining and discoloration may occur.
- (e) If the surface of the polarizer is dirty, clean it using some absorbent cotton or soft cloth.
- (f) Desirable cleaners are water, IPA(Isopropyl Alcohol) or Hexane.
Do not use Ketone type materials(ex. Acetone), Ethyl alcohol, Toluene, Ethyl acid or Methyl chloride. It might permanent damage to the polarizer due to chemical reaction.
- (g) If the liquid crystal material leaks from the panel, it should be kept away from the eyes or mouth. In case of contact with hands, legs or clothes, it must be washed away thoroughly with soap.
- (h) Protect the module from static, it may cause damage to the C-MOS Gate Array IC.
- (i) Use finger-stalls with soft gloves in order to keep display clean during the incoming inspection and assembly process.
- (j) Do not disassemble the module.
- (k) Do not pull or fold the lamp wire.
- (l) Do not adjust the variable resistor which is located on the back side.
- (m) Pins of I/F connector shall not be touched directly with bare hands.

10.2 Storage

- (a) Do not leave the module in high temperature, and high humidity for a long time. It is highly recommended to store the module with temperature from 0 to 35 °C and relative humidity of less than 70%.
- (b) Do not store the TFT-LCD module in direct sunlight.
- (c) The module should be stored in a dark place. It is prohibited to apply sunlight or fluorescent light during the store.

10.3. Operation

- (a) Do not connect, disconnect the module in the “ Power On” condition.
- (b) Power supply should always be turned on/off by following item 6.6 “ Power on/off sequence “.
- (c) Module has high frequency circuits. Sufficient suppression to the electromagnetic interference should be done by system manufacturers. Grounding and shielding methods may be important to minimize the interference.
- (d) The cable between the back-light connector and its inverter power supply should be a minimized length and be connected directly . The longer cable between the back-light and the inverter may cause lower luminance of lamp(CCFT) and may require higher startup voltage(Vs).

10.4 Others

- (a) Ultra-violet ray filter is necessary for outdoor operation.
- (b) Avoid condensation of water. It may result in improper operation or disconnection of electrode.
- (c) Do not exceed the absolute maximum rating value. (the supply voltage variation, input voltage variation, variation in part contents and environmental temperature and so on) Otherwise the module may be damaged.
- (d) If the module displays the same pattern continuously for a long period of time, it can be the situation when the image “sticks” to the screen.
- (e) This module has its circuitry PCB on the rear side and should be handled carefully in order not to be stressed.