

TO : sak

DATE : 2002.11.30

GREEN C&C TECH CO.,LTD
2nd #898-45 HOGYE-DONG DONGAN-KU
ANYANG CITY,KOREA
TEL : 82-31-458-9105,9163
FAX : 82-31-458-9135

DOCUMENTATION FOR APPROVAL

PRODUCT : CCFL BACKLIGHT INVERTER

MODEL NAME : GH089A

GCCT NAME : GCCT089PB

APPROVAL	CHECKED	WRITEN

PLEASE RETURN ONE DOCUMENT AFTER APPROVED SIGN.

--

GREEN C&C TECH	INVERTER SPECIFICATION (GH089A)	R&D DATE : 2002.11.30
----------------	------------------------------------	--------------------------

NO	DATE	REVISION	PAGE

REVISION HISTORY											
REV.											
Page											
REV.											
Page											
REV.	0	0	0	0	0	0					
Page	1	2	3	4	5	6					

GREEN C&C TECH	INVERTER SPECIFICATION (GH089A)	R&D DATE : 2002.11.30
----------------	------------------------------------	--------------------------

2. SUITABLE LOAD

LCD MODULE : LG 20.1" 6LAMP TFT LCD

3. ELECTRICAL CHARACTERISTICS

3-1. Absolute Maximum Ratings

ITEM	SYMBOL	SPEC	UNIT	REMARKS
INPUT VOLTAGE1	Vin1	17~19	V	
INPUT VOLTAGE2	Vin2	4.9~5.1	V	
OPERATING TEMPERATURE	Top	0~50	℃	
STORAGE TEMPERATURE	Tstg	-30~80	℃	
RELATIVE HUMIDITY	RH	90	%	

3-2. Control Signal

PIN NO.	SYMBOL	STATUS	ACTION	REMARKS
CN1 #4	BKLT_ON	HIGH	LAMP(CCFL)-ON	2.4~5.25V
		LOW	LAMP(CCFL)-OFF	0.8V MAX

GREEN C&C TECH	INVERTER SPECIFICATION (GH089A)	R&D DATE : 2002.11.30
----------------	------------------------------------	--------------------------

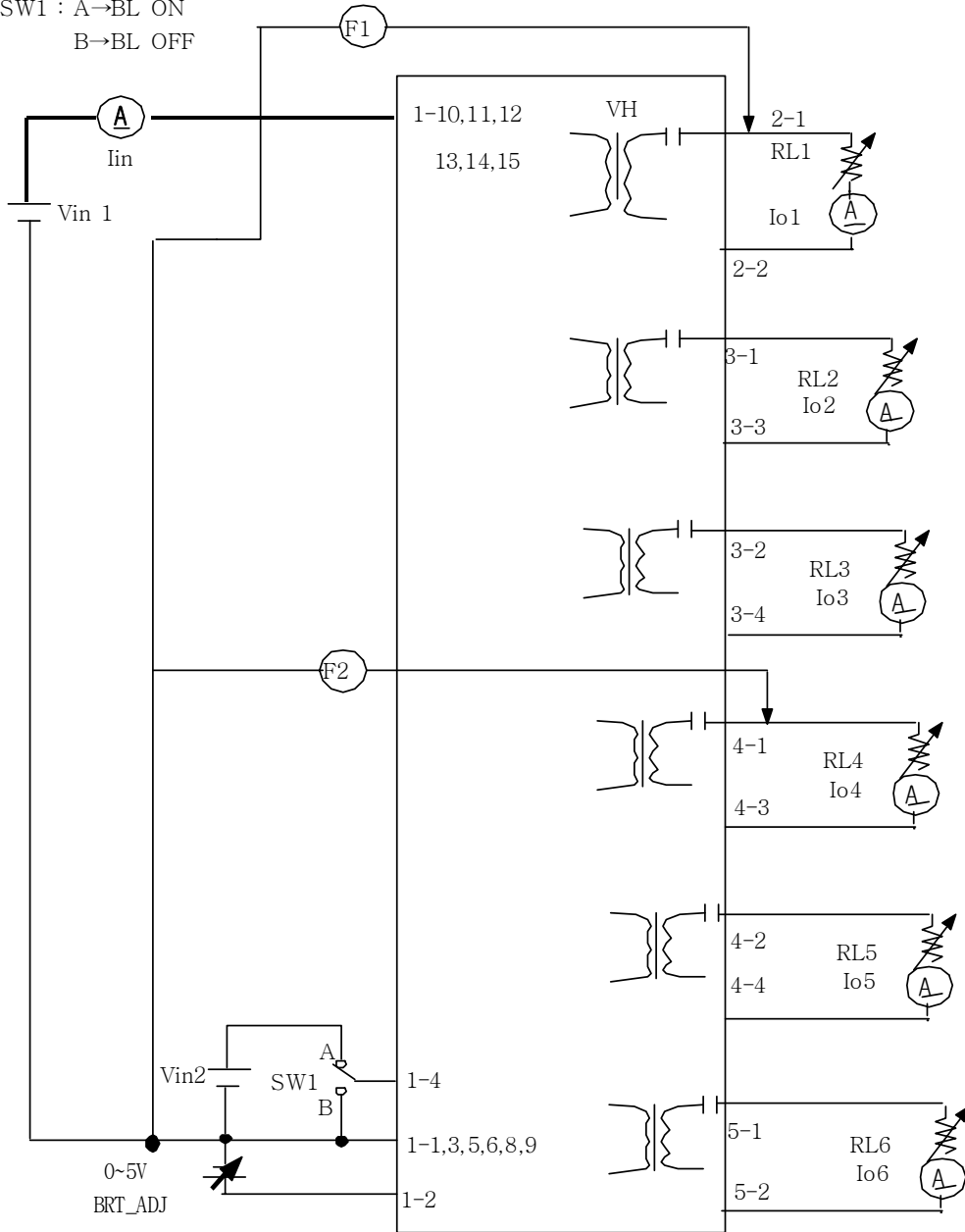
3-3. Output Characteristics

ITEM	SYMBOL	CONDITION			SPECIFICATION			UNIT
		Vin1(V) (DC-IN)	BRT- ADJ	RL1,2,3(k Ω) RL4,5,6(k Ω)	MIN	TYP	MAX	
OUTPUT CURRENT	Io1(max)	18	0V	100 \pm 0.5	6.0	7.0	8.0	mArms
	Io2(max)							
	Io3(max)							
	Io4(max)							
	Io5(max)							
	Io6(max)							
	Io1(min)	18	5V	100 \pm 0.5	2.0	3.0	4.0	
	Io2(min)							
	Io3(min)							
	Io4(min)							
Io5(min)								
Io6(min)								
INPUT CURRENT	Iin(1)	18	0V	100 \pm 0.5	3.0	3.5	4.0	ADC
FREQUENCY	F(1)	18	0V	100 \pm 0.5	48	54	60	kHz
FREQUENCY	F(2)	18	0V	100 \pm 0.5	48	54	60	

GREEN C&C TECH	INVERTER SPECIFICATION (GH089A)	R&D DATE : 2002.11.30
----------------	------------------------------------	--------------------------

3.4 Test Circuit

-SW1 : A→BL ON
B→BL OFF



GREEN C&C TECH	INVERTER SPECIFICATION (GH089A)	R&D DATE : 2002.11.30
----------------	------------------------------------	--------------------------

4. INTERFACE

4.1 CN1 CONNECTOR : 53261-1590

PIN NO	SYMBOL	REMARK
2	BRT_ADJ	0 ~ 5V
1,3,5,6,8,9	GND	GND
4	BL ON/OFF	CCFL Drive SIGNAL(Active HIGH)
7	N.C	
10,11,12 13,14,15	DC-IN(Vin)	DC INPUT Power (18V)

4.2 CN2 CONNECTOR : SM02B-BHSS-1-TB(JST)

PIN NO.	SYMBOL	REMARK
1	HOT	HIGH
2	COLD	LOW

4.4 CN3 CONNECTOR : 20015WR-09A00

PIN NO.	SYMBOL	REMARK
1	HOT	HIGH
2	HOT	HIGH
3	COLD	LOW
4	COLD	LOW

4.5 CN4 CONNECTOR : 20015WR-09A00

PIN NO.	SYMBOL	REMARK
1	HOT	HIGH
2	HOT	HIGH
3	COLD	LOW
4	COLD	LOW

4.3 CN5 CONNECTOR : SM02B-BHSS-1-TB(JST)

PIN NO.	SYMBOL	REMARK
1	HOT	HIGH
2	COLD	LOW

GREEN C&C TECH	INVERTER SPECIFICATION (GH089A)	R&D DATE : 2002.11.30
----------------	------------------------------------	--------------------------

5. APPEARANCE (UNIT : mm)

