

TO :

DATE : 2001.12.02

GREEN C&C TECH CO.,LTD
2nd #898-45 HOGYE-DONG DONGAN-KU
ANYANG CITY,KOREA
TEL : 82-31-458-9105,9163
FAX : 82-31-458-9135

DOCUMENTATION FOR APPROVAL

PRODUCT : CCFL BACKLIGHT INVERTER

MEDEL NAME : GH025A

GCCT NAME : GCCT025A

APPROVAL	CHECKED	WRITTEN

PLEASE RETURN ONE DOCUMENT AFTER APPROVED SIGN.

GREEN C&C TECH	INVERTER SPECIFICATION (GH025A)	R&D DATE : 2001.12.02
----------------	--	--------------------------

NO	DATE	REVISION	PAGE

REVISION HISTORY

REV.											
Page											
REV.											
Page											
REV.	0	0	0	0	0						
Page	1	2	3	4	5						

GREEN C&C TECH	INVERTER SPECIFICATION (GH025A)	R&D DATE : 2001.12.02
----------------	--	--------------------------

2. SUITABLE LOAD

LCD MODULE : 10.4"~15" 1 LAMP TFT LCD

3. ELECTRICAL CHARACTERISTICS

3-1. Absolute Maximum Ratings

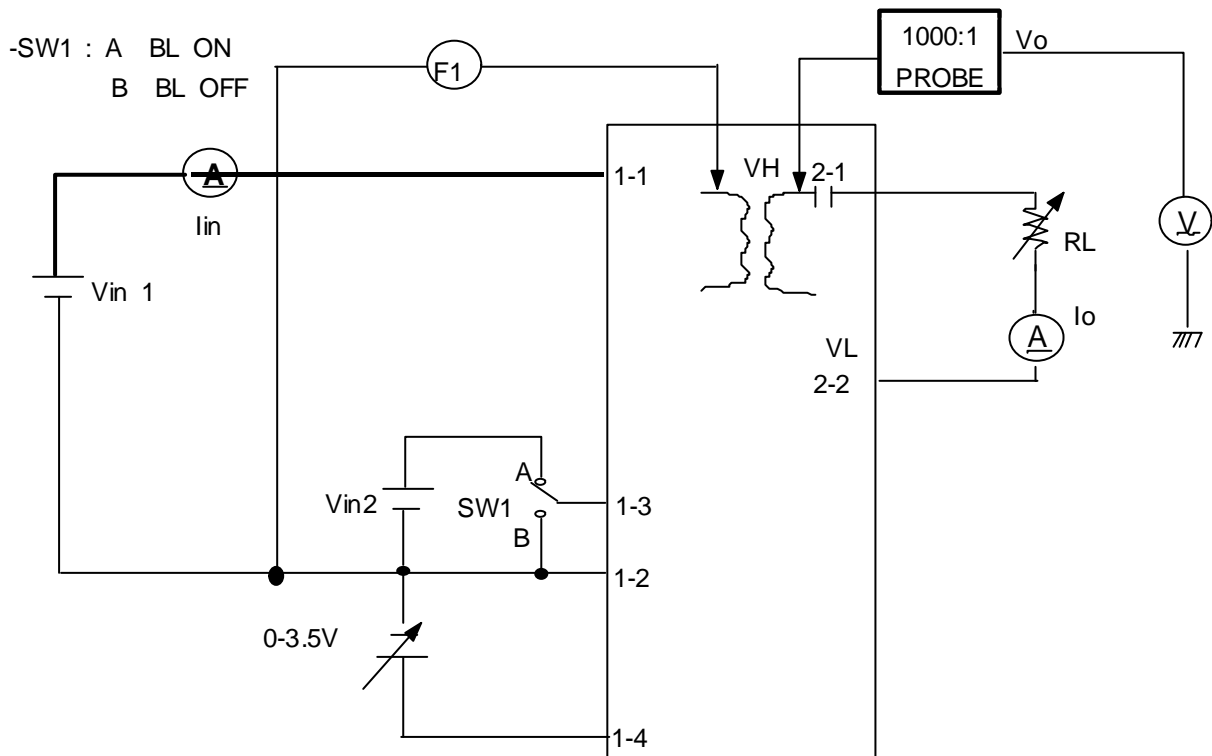
ITEM	SYMBOL	SPEC	UNIT	REMARKS
INPUT VOLTAGE1	Vin1	8 ~ 20	V	
INPUT VOLTAGE2	Vin2	4.9~5.1	V	
OPERATING TEMPERATURE	Top	0 50		
STORAGE TEMPERATURE	Tstg	-30 80		
RELATIVE HUMIDITY	RH	80	%	

PIN NO.	SYMBOL	STATUS	ACTION	REMARKS
CN1 #3	BKLT_ON	HIGH	LAMP(CCFL)-ON	2.4~5.25V
		LOW	LAMP(CCFL)-OFF	0.8V MAX

GREEN C&C TECH	INVERTER SPECIFICATION (GH025A)	R&D DATE : 2001.12.02
---------------------------	--	--------------------------

3-3. Output Characteristics

ITEM	SYMBOL	CONDITION			SPECIFICATION			UNIT
		Vin1(V) (DC-IN)	BRT- ADJ	RL(kΩ)	MIN	TYP	MAX	
OUTPUT CURRENT	Io(max)	12	0V	80±0.5	5.6	6.1	6.6	mArms
	Io(min)	12	5V	80±0.5	2.0	2.5	3	
INPUT CURRENT	Iin	12	0V	80±0.5	0.3	0.4	0.5	ADC
FREQUENCY	F	12	0V	80±0.5	45	50	55	KHz
OPEN OUTPUT VOLTAGE	Vo	12	0V		1.2	-	1.9	kVrms



GREEN C&C TECH	INVERTER SPECIFICATION (GH025A)	R&D DATE : 2001.12.02
---------------------------	--	--------------------------

4. INTERFACE

4.1 CN1 CONNECTOR :53261-0590(MOLEX) or Equivalent

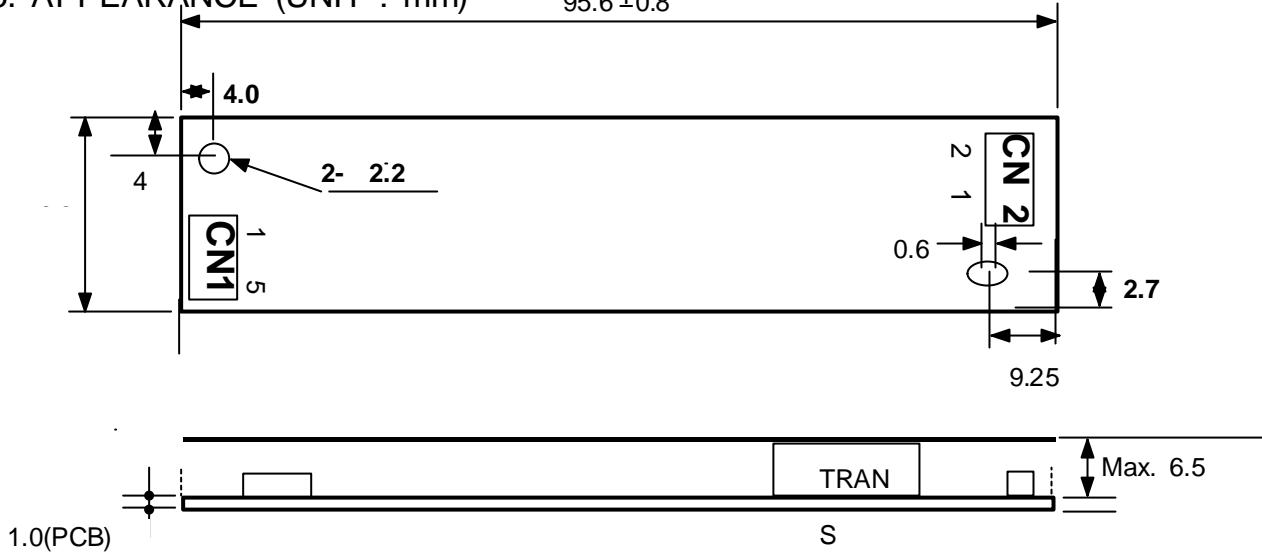
PIN NO	SYMBOL	REMARK
4	BRT_ADJ	0 ~ 3V
2	GND	GND
3	BL ON/OFF	CCFL Drive SIGNAL(Active HIGHT)
1	DC-IN(Vin)	DC INPUT Power (12V)
5	N.C	

4.2 CN2 CONNECTOR : SM02B-BHSS or Equivalent

PIN NO.	SYMBOL	REMARK
1	HOT	HIGH
2	COLD	LOW

GREEN C&C TECH	INVERTER SPECIFICATION (GH025A)	R&D DATE : 2001.12.02
----------------	--	--------------------------

5. APPEARANCE (UNIT : mm) 95.6±0.8



6. NOTATION OF LOT NUMBER

MARKING : BOTTOM OF PCB.

GH025A
YYWWMMM

GH025A : MODEL NAME
 YY : YEAR OF PRODUCT 91,'92,'93,'94,...'00,'01
 WW : WEEK OF PRODUCT 01,02,03,04,...54,55
 MMMM : SERIAL NUMBER 0001,0002.....9998,9999